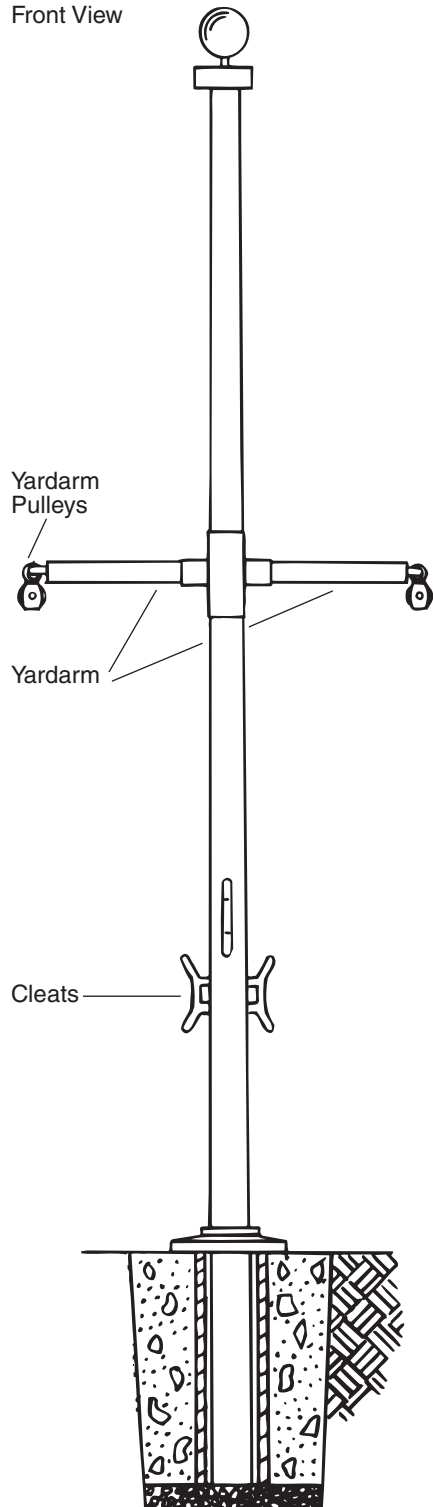


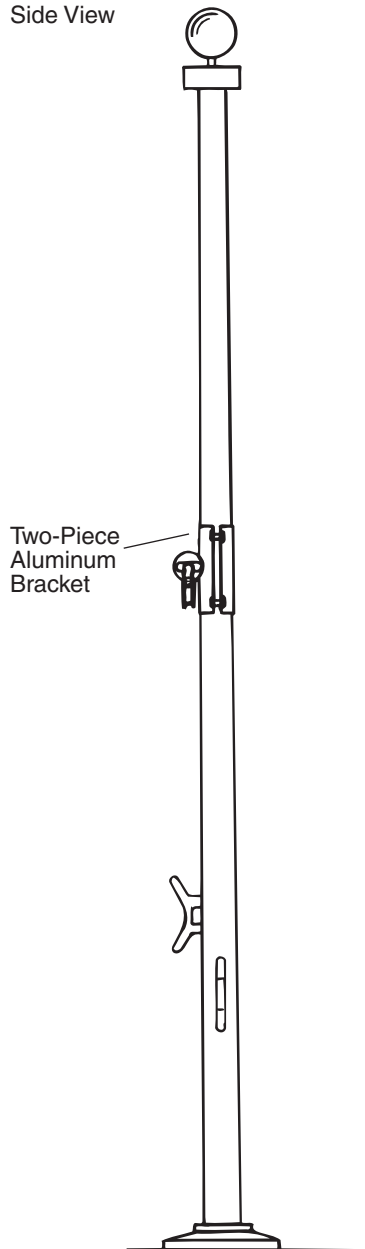
# Fiberglass Flagpoles

Fiberglass  
Yardarms

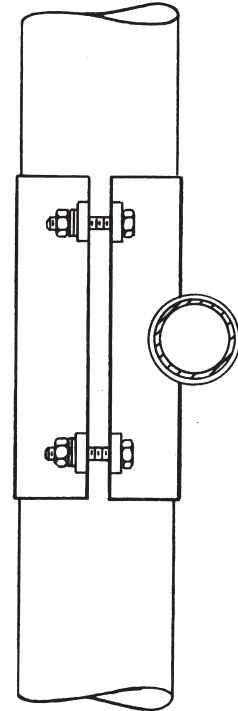
Front View



Side View



Two-Piece Aluminum Bracket



# SPECIFICATIONS

Provide a Fiberglass Reinforced Plastic (FRP) Yardarm Model #YA \_\_\_\_\_ and corresponding ground set flagpole as manufactured by PLP Composite Technologies, Inc., Fitzwilliam, NH 03447.

The yardarm shall have an overall length of \_\_\_\_\_ feet. The diameter at the center of the yardarm shall be \_\_\_\_\_ inches and will taper to each end to a diameter of \_\_\_\_\_ inches. The entire yardarm shall have a total weight of \_\_\_\_\_ lbs. and a total shipping weight of \_\_\_\_\_ lbs.

The yardarm shall be manufactured of fiberglass woven roving and polyester resin.

The yardarm shall be cemented and bolted to a two-piece aluminum bracket which attaches the yardarm to the flagpole.

The yardarm shall have an ENTASIS taper.

The yardarm shall be sanded smooth and coated with a high gloss UV inhibited finish.

The color of the yardarm shall be:

Standard white, bronze, black, or other, as specified \_\_\_\_\_. (Select one)

The yardarm is equipped with PLP standard fittings:

- A fiberglass yardarm cemented and bolted to a two-piece aluminum bracket which attaches the yardarm to the flagpole. The bracket shall be the same color as the flagpole.
- Bronze eye straps
- Yardarm pulleys
- # \_\_\_\_\_ polyester halyards (2 to a set)
- \_\_\_\_\_ " \_\_\_\_\_ cleats (2 to a set)
- Flag snaps
  - Brass swivel with vinyl covers (4), (20X-40X), or
  - Stainless Steel swivel (4), (50X-60X)

These accessories are provided in addition to all the fittings included with the corresponding ground set flagpole.

EXCEPTIONS: \_\_\_\_\_  
 \_\_\_\_\_  
 \_\_\_\_\_

PROJECT: \_\_\_\_\_

LOCATION: \_\_\_\_\_

DATE: \_\_\_\_\_

Model Number	PLP YA 20	PLP YA 25	PLP YA 30	PLP YA 35	PLP YA 40	PLP YA 50	PLP YA 60
Length	6'6"	6'6"	8'	9'6"	11'	13'6"	16'
Diameter at Center	3"	3"	4"	4"	4"	4.5"	4.5"
Diameter at Ends	2"	2"	3"	3"	3"	3"	3"
Cleats	8.5" Nylon	8.5" Nylon	8.5" Nylon	8.5" Nylon	8.5" Nylon	10" Alum.	10" Alum.
Halyard	#10	#10	#10	#10	#10	#12	#12
Snaps	Brass Swivel	Brass Swivel	Brass Swivel	Brass Swivel	Brass Swivel	S/S Swivel	S/S Swivel
Weight (lbs.)	13	13	14	15	16	35	38
Shipping Weight (lbs.)*	25	25	30	36	40	53	65

\* Shipping weight includes weight of packaging and fittings.