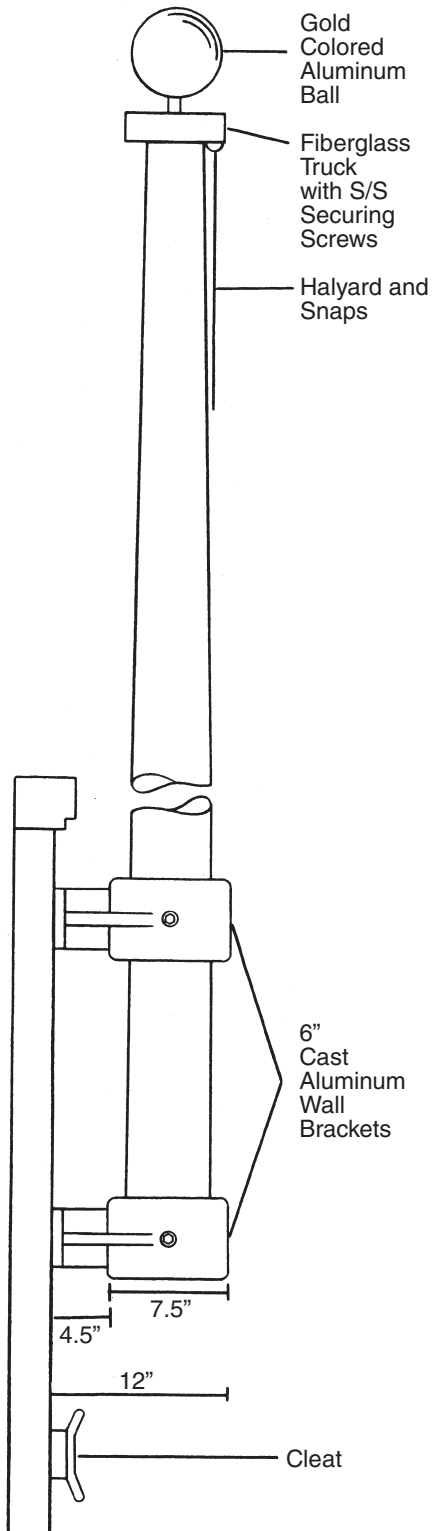
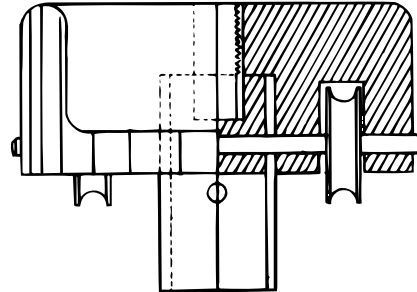


Fiberglass Flagpoles

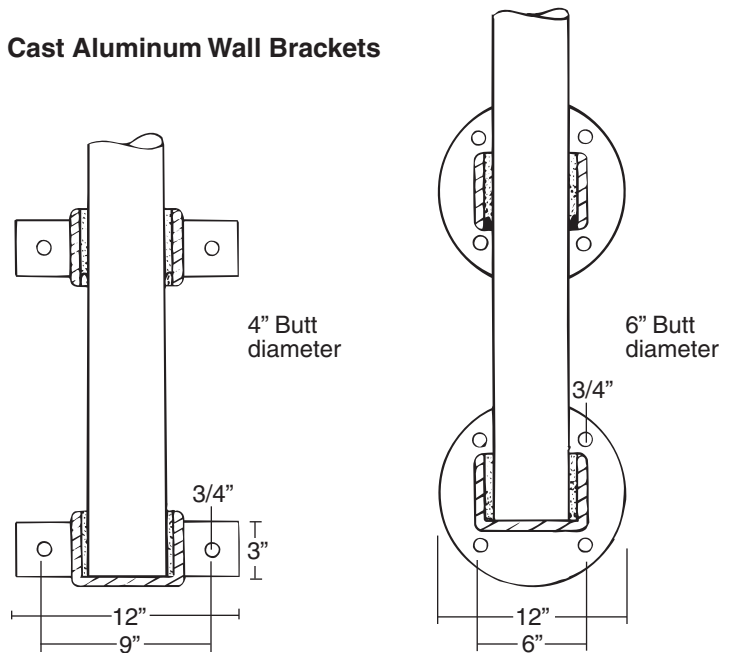
Fiberglass
Vertical Wall Mount
Flagpoles



Fiberglass Truck



Cast Aluminum Wall Brackets



Wall brackets match pole size specified. Brackets are painted the same color as the pole. Wall bolts are not included.

SPECIFICATIONS

Provide a Fiberglass Reinforced Plastic (FRP) Vertical Wall Mount Flagpole Model #V _____ as manufactured by PLP Composite Technologies, Inc., Fitzwilliam, NH 03447.

The flagpole shall have an overall length of _____ feet. The butt diameter shall be _____ inches and the top diameter _____ inches. The pole weight shall be _____ lbs. with a total shipping weight of _____ lbs.

The flagpole shall be manufactured of fiberglass woven roving and polyester resin. Load calculations shall be based on AASHTO and NAAMM standards with the pole designed with a two to one safety factor for 120 m.p.h. winds, unflagged.

The flagpole shall have an ENTASIS taper.

The pole shall be sanded smooth and coated with a high gloss UV inhibited finish.

The pole shall be absent of any vertical mold seams.

The color of the flagpole shall be:

Standard white, bronze, black, or other, as specified _____. (Select one)

The flagpole is equipped with two cast aluminum wall brackets and the pole shall be assembled in these brackets according to the manufacturer's instructions. Wall bolts are not included.

The vertical wall mount flagpole is also equipped with PLP standard fittings:

- A _____" gold colored aluminum ball
- Double sheave stationary fiberglass truck with stainless steel securing screws
- #10 polyester halyard
- 8.5" nylon cleat
- Brass swivel snaps with vinyl covers
- _____" aluminum wall brackets

EXCEPTIONS: _____

PROJECT: _____

LOCATION: _____

DATE: _____

Model Number	PLP V15	PLP V20	PLP V25	PLP V30
Length	15'	20'	25'	29'6"
Butt Diameter	4"	4"	6"	6"
Top Diameter	2.75"	2.75"	3"	3"
Pole Weight (lbs.)	30	40	50	60
Shipping Weight (lbs.)*	67	88	107	119
Bracket	4" Alum.	4" Alum.	6" Alum.	6" Alum.
Cleat	8.5" Nylon	8.5" Nylon	8.5" Nylon	8.5" Nylon
Ball Diameter	5"	5"	6"	6"
Halyard	#10	#10	#10	#10
Truck	F/G	F/G	F/G	F/G
Snaps	Brass Swivel	Brass Swivel	Brass Swivel	Brass Swivel
Standard Flag Size	4x6	5x8	5x8	5x8

* Shipping weight includes weight of packaging and fittings.