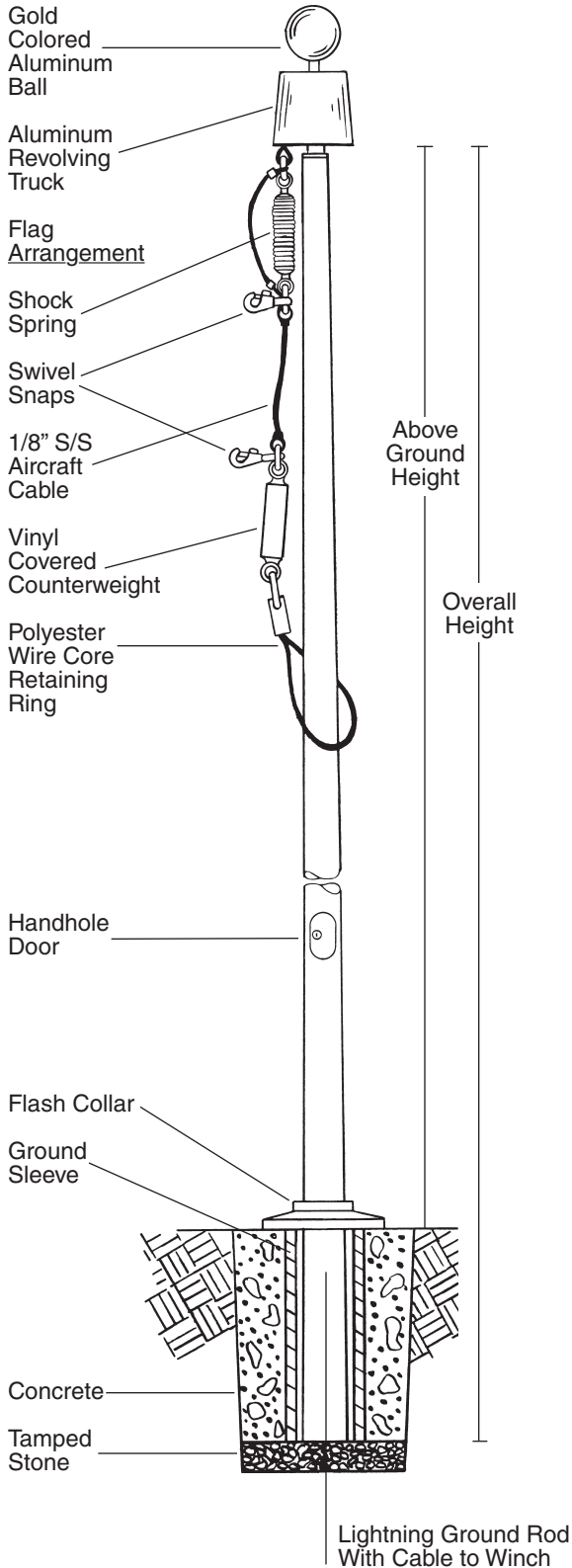
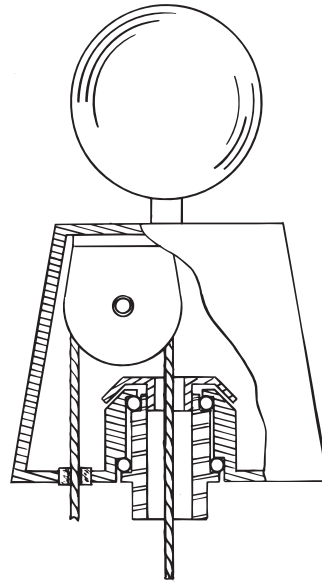


Fiberglass Flagpoles

Fiberglass
Internal Halyard
Flagpoles 50 I - 100 I

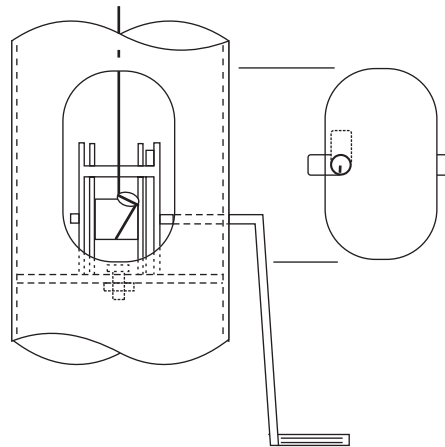


Aluminum Revolving Internal Truck



Internal Winch

Front View



SPECIFICATIONS

Provide a Fiberglass Reinforced Plastic (FRP) Internal Halyard Flagpole Model # _____ I as manufactured by PLP Composite Technologies, Inc., Fitzwilliam, NH 03447.

The flagpole shall have an overall length of _____ feet, with an above ground height of _____ feet. The butt diameter shall be _____ inches and the top diameter _____ inches. The pole weight shall be _____ lbs. with a total shipping weight of _____ lbs.

The flagpole shall be manufactured of fiberglass woven roving and polyester resin. Load calculations shall be based on AASHTO and NAAMM standards with the pole designed with a two to one safety factor for 120 m.p.h. winds, unflagged.

The flagpole shall have an ENTASIS taper.

The pole shall be sanded smooth and coated with a high gloss UV inhibited finish.

The pole shall be absent of any vertical mold seams.

The color of the flagpole shall be:

Standard white, bronze, black, or other, as specified _____. (Select one)

The flagpole shall be equipped with PLP standard fittings:

- A _____" gold colored aluminum ball
- Aluminum revolving internal truck
- 1/8" stainless steel aircraft cable
- Polyester wire core retaining ring
- Vinyl covered counterweight
- Stainless steel internal winch with hand crank
- Handhole door with cylinder cam lock
- Stainless steel swivel snaps
- A _____" composite flash collar
- _____' x _____" composite ground sleeve

EXCEPTIONS: _____

PROJECT: _____

LOCATION: _____

DATE: _____

Model Number	PLP 50 I	PLP 60 I	PLP 70 I	PLP 80 I*	PLP 90 I	PLP 100 I
Above Ground Height	50'	60'	70'	80'	90'	100'
Overall Height	55'	66'	77'	88'	99'	110'
Butt Diameter	10"	10.5"	16"	16.5"	17"	17.5"
Top Diameter	4.5"	4.5"	7"	7"	7"	7"
Pole Weight (lbs.)	334	550	950	1150	1875	2075
Shipping Weight (lbs.)**	625	767	1297	1583	2255	2617
Ground Sleeve I.D.	14"	14"	20"	20"	20"	20"
Ground Sleeve Length	5'	6'	7'	8'	9'	10'
Ball Diameter	10"	10"	14"	14"	14"	14"
Halyard	S/S cable	S/S cable	S/S cable	S/S cable	S/S cable	S/S cable
Flash Collar	23"	23"	30"	30"	30"	30"
Truck	Rev. Alum.	Rev. Alum.	Rev. Alum.	Rev. Alum.	Rev. Alum.	Rev. Alum.
Snaps	S/S Swivel	S/S Swivel	S/S Swivel	S/S Swivel	S/S Swivel	S/S Swivel
Standard Size Flag	8x12	10x15	12x18	12x18	20x30	20x30

All poles are equipped with an internal field splice which is cemented and pinned with stainless steel pins to the bottom section. The top section simply slides over the self-aligning splice for easy field assembly.

* This pole is equipped with a ground set extension which fits into the butt of the pole. The entire assembly then slides into the ground sleeve. Detailed instructions come with each pole.

**Shipping weight includes weight of packaging and fittings.

PLP Composite Technologies, Inc.

57 Creamery Road • PO Box 429 • Fitzwilliam, NH 03447 • Tel: 603-585-9100 • Fax: 603-585-9501 • www.plpcomp.com