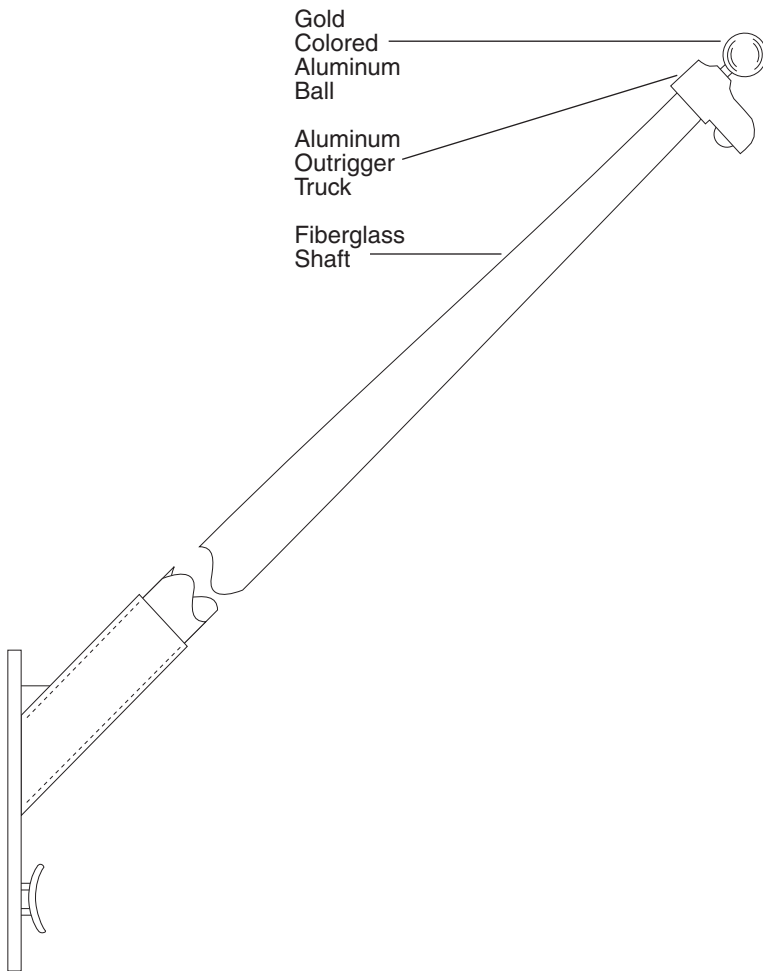
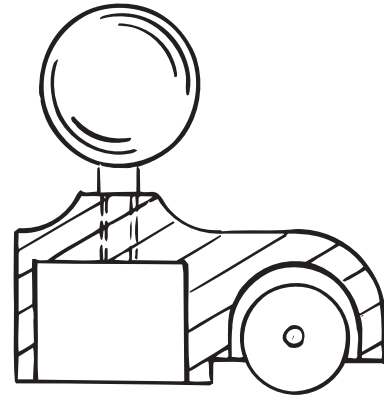


Fiberglass Flagpoles

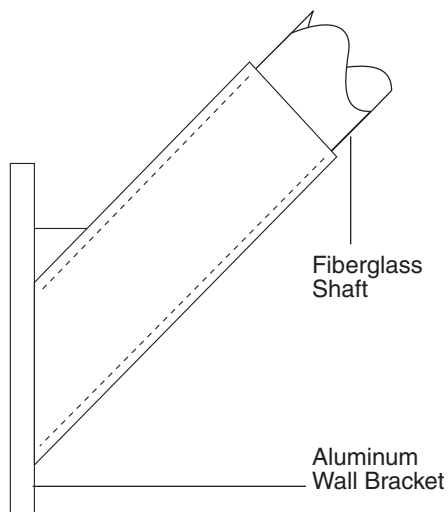
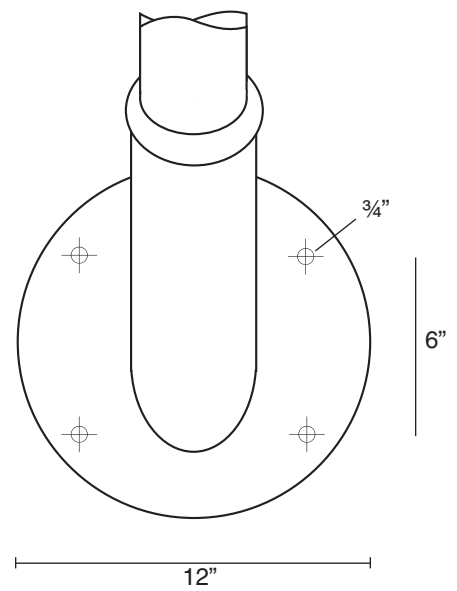
Fiberglass
Commercial
Outrigger
Flagpoles



Aluminum Outrigger Truck



Aluminum Wall Bracket
Front View



SPECIFICATIONS

Provide a Fiberglass Reinforced Plastic (FRP) 45° Commercial Outrigger Flagpole Model #OR _____ COMM as manufactured by PLP Composite Technologies, Inc., Fitzwilliam, NH 03447.

The flagpole shall have an overall length of _____ feet. The butt diameter shall be _____ inches and the top diameter _____ inches. The pole weight shall be _____ lbs. with a total shipping weight of _____ lbs.

The flagpole shall be manufactured of fiberglass woven roving and polyester resin. Load calculations shall be based on AASHTO and NAAMM standards with the pole designed with a two to one safety factor for 120 m.p.h. winds, unflagged.

The flagpole shall have an Entasis taper.

The pole shall be sanded smooth and coated with a high gloss UV inhibited finish.

The pole shall be absent of any vertical mold seams.

The color of the flagpole shall be:

Standard white, bronze, black, or other, as specified _____. (Select one)

The 45° Commercial Outrigger Flagpole shall be equipped with an aluminum wall bracket and the pole will be assembled into this wall bracket according to the manufacturer's instructions using an epoxy paste mixture provided. Wall bolts are not included.

The 45° Commercial Outrigger Flagpole shall be equipped with PLP standard fittings:

- A 4" gold colored aluminum ball
- A cast aluminum outrigger truck
- #10 polyester halyard
- 8.5" nylon cleat
- Brass swivel snaps with vinyl covers
- Aluminum wall bracket into which the pole is cemented and pinned

EXCEPTIONS: _____

PROJECT: _____

LOCATION: _____

DATE: _____

Model Number	PLP OR8COMM	PLP OR10COMM	PLP OR12COMM
Length	8'	10'	12'
Butt Diameter	3"	3"	3"
Top Diameter	2.5"	2.5"	2.5"
Pole Weight (lbs.)	4	5	9
Shipping Weight (lbs.)*	40	50	56
Cleat	8.5" Nylon	8.5" Nylon	8.5" Nylon
Ball Diameter	4"	4"	4"
Halyard	#10	#10	#10
Truck	Aluminum	Aluminum	Aluminum
Snaps	Brass Swivel	Brass Swivel	Brass Swivel
Standard Flag Size	4x6	4x6	5x8

* Shipping weight includes weight of packaging and fittings.