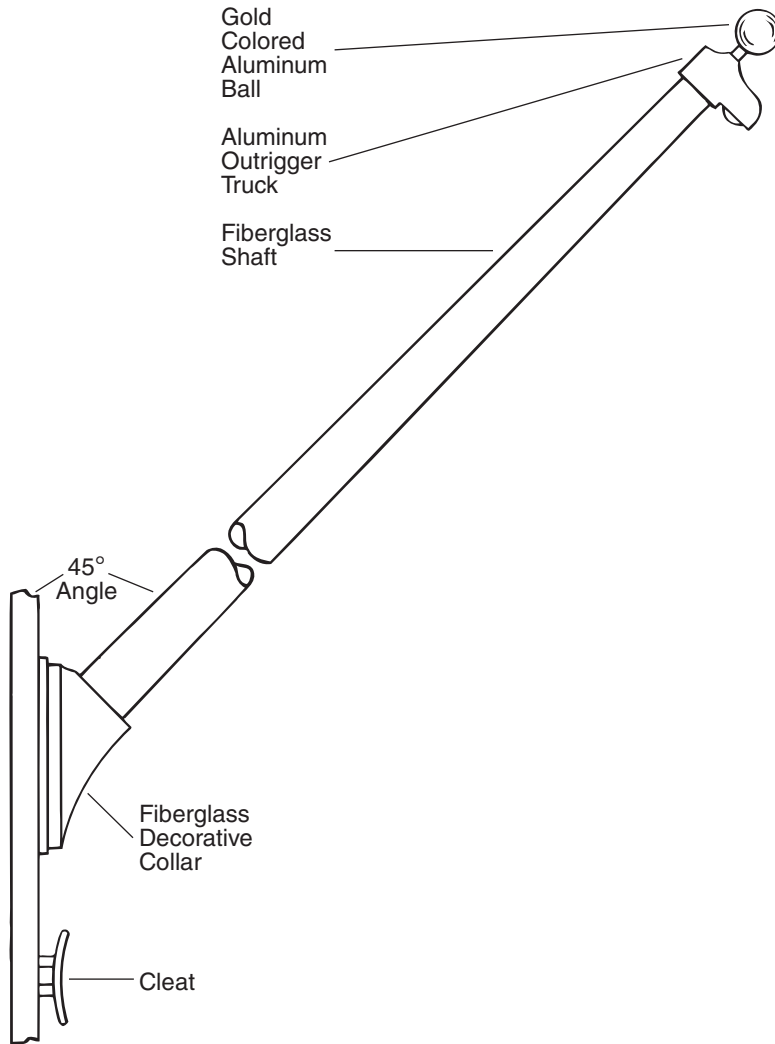
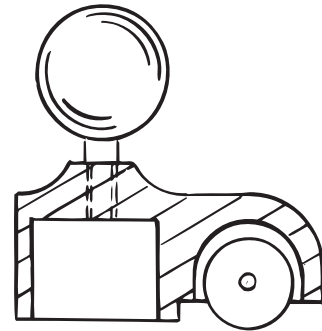


# Fiberglass Flagpoles

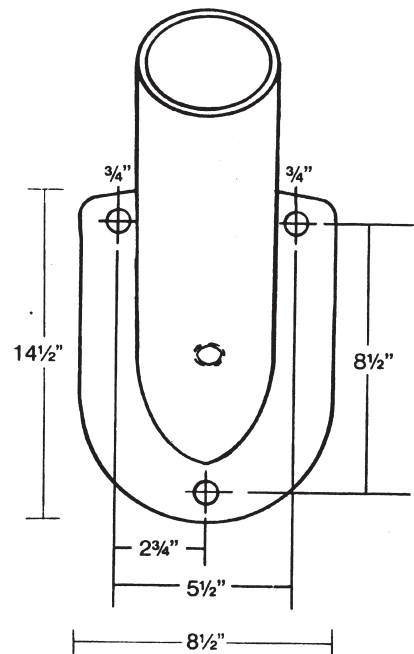
Fiberglass  
Architectural  
Outrigger  
Flagpoles



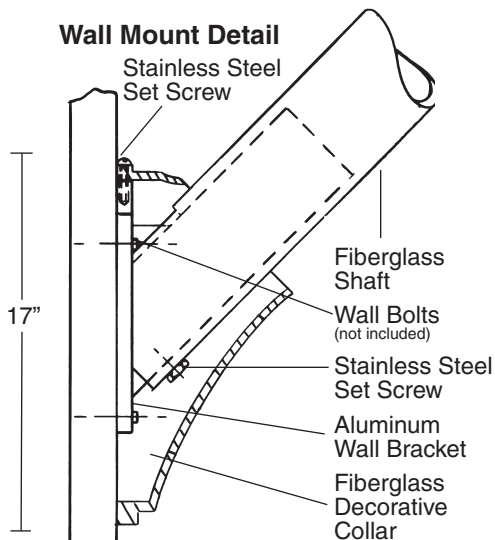
**Aluminum Outrigger Truck**



**Aluminum Wall Bracket**



**Wall Mount Detail**



# SPECIFICATIONS

Provide a Fiberglass Reinforced Plastic (FRP) 45° Architectural Outrigger Flagpole Model #OR \_\_\_\_\_ AR as manufactured by PLP Composite Technologies, Inc., Fitzwilliam, NH 03447.

The flagpole shall have an overall length of \_\_\_\_\_ feet. The butt diameter shall be \_\_\_\_\_ inches and the top diameter \_\_\_\_\_ inches. The pole weight shall be \_\_\_\_\_ lbs. with a total shipping weight of \_\_\_\_\_ lbs.

The flagpole shall be manufactured of fiberglass woven roving and polyester resin. Load calculations shall be based on AASHTO and NAAMM standards with the pole designed with a two to one safety factor for 120 m.p.h. winds, unflagged.

The flagpole shall have an ENTASIS taper.

The pole shall be sanded smooth and coated with a high gloss UV inhibited finish.

The pole shall be absent of any vertical mold seams.

The color of the flagpole shall be:

Standard white, bronze, black, or other, as specified \_\_\_\_\_. (Select one)

The 45° Architectural Outrigger Flagpole shall be equipped with an aluminum wall bracket and the pole will be assembled onto this according to the manufacturer's instructions using an epoxy paste mixture and set screw provided. The wall bracket shall be covered with a fiberglass decorative collar. Wall bolts are not included.

The 45° Architectural Outrigger Flagpole shall be equipped with PLP standard fittings:

- A 5" gold colored aluminum ball
- A cast aluminum outrigger truck
- #10 polyester halyard
- 8.5" nylon cleat
- Brass swivel snaps with vinyl covers
- Aluminum wall bracket onto which the pole is cemented and pinned
- A decorative fiberglass collar

EXCEPTIONS: \_\_\_\_\_  
 \_\_\_\_\_  
 \_\_\_\_\_

PROJECT: \_\_\_\_\_

LOCATION: \_\_\_\_\_

DATE: \_\_\_\_\_

Model Number	PLP OR10AR	PLP OR12AR	PLP OR14AR
Length	10'	12'	14'
Butt Diameter	5"	5"	5"
Top Diameter	3"	3"	3"
Pole Weight (lbs.)	25	30	35
Shipping Weight (lbs.)*	55	60	65
Cleat	8.5" Nylon	8.5" Nylon	8.5" Nylon
Ball Diameter	5"	5"	5"
Halyard	#10	#10	#10
Truck	Aluminum	Aluminum	Aluminum
Snaps	Brass Swivel	Brass Swivel	Brass Swivel
Standard Flag Size	4x6	5x8	5x8

\* Shipping weight includes weight of packaging and fittings.