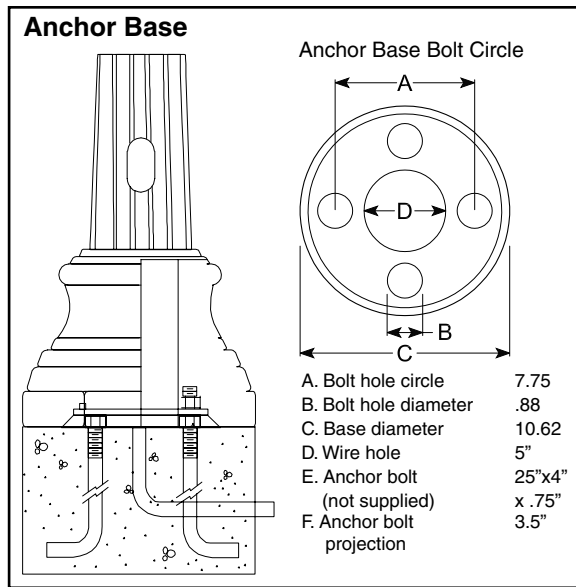




# Decorative Composite Lamp Posts

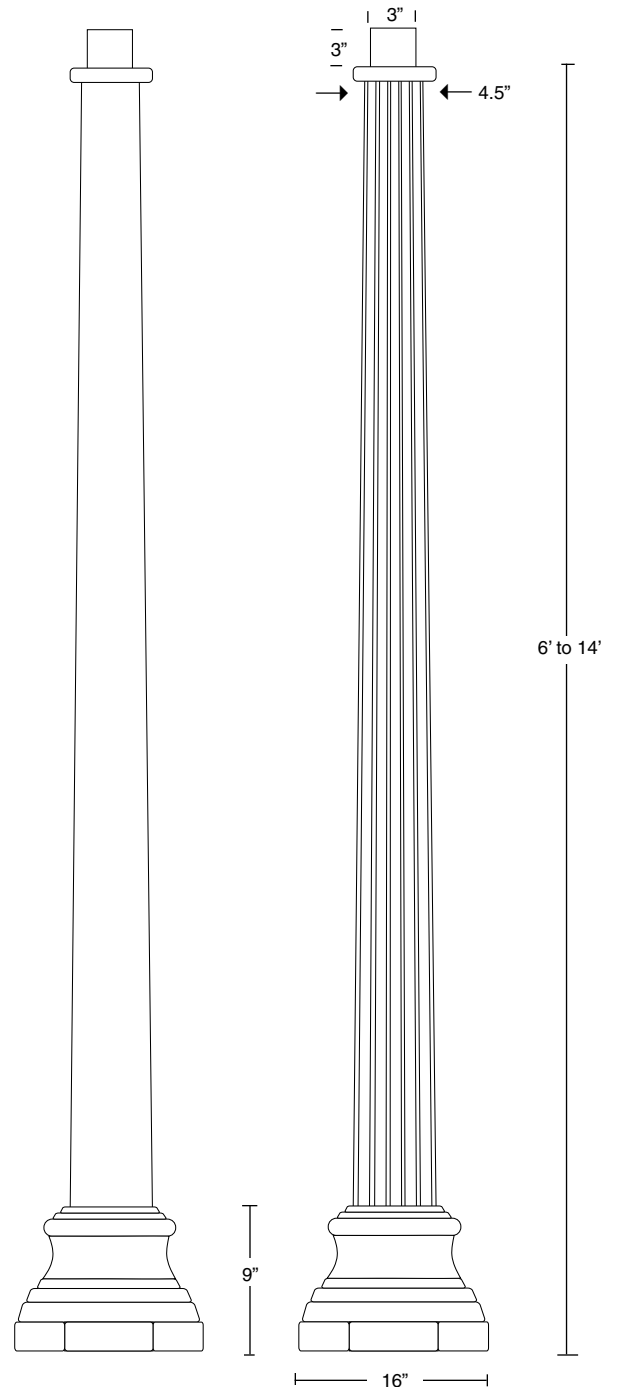
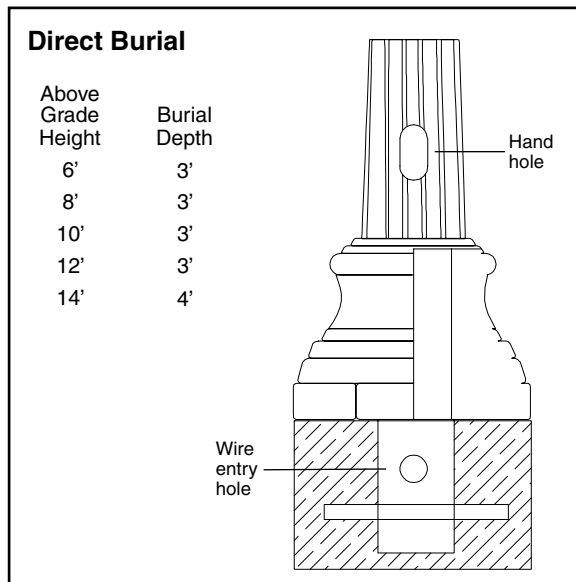
## CHARLESTON SERIES

- Tapered Shaft
- Fluted or Smooth
- Anchor Base or Direct Burial
- Separate slip over base
- Textured "Cast Iron" finish
- Non-conductive
- Non-corrosive
- Lightweight



### Specifications

- Mounting heights: 6' - 14'
- Standard colors: black, bronze, green (color matching available)
- Post top OD: 4.5"
- Decorative base: height – 9"; diameter – 16"
- Handhole: 2 1/2" x 5"
- Tenon: 3" x 3" aluminum (Opt. 2 3/8" x 3")
- Wire Hole: 1 3/8" direct burial; 5" anchor base
- 5 EPA at 100 MPH with a 1.3 gust factor



## Specifications

Provide a composite Lamp Post Model # \_\_\_\_\_ as manufactured by PLP Composite Technologies, Inc., Fitzwilliam, NH 03447. It shall be engineered and manufactured to have an EPA rating of 5 in winds of 100 MPH with a gust factor of 1.3.

### Post Shaft Style (select one)

#### Fluted

The shaft shall be fluted and constructed with an inner core fabricated of fiberglass woven roving and polyester resin with an outer casting of polyester resin to form the decorative flutes.

#### Smooth

The shaft shall be smooth, constructed with fiberglass woven roving and polyester resin with a smooth, sanded resin surface.

The mounting height of the shaft above grade shall be \_\_\_\_\_ feet and it shall have a tip O.D. of 4.5 inches.

### Handhole

The lamp post shaft shall be equipped with a 2 1/2" x 5" handhole secured with vandal resistant screws.

### Installation Type (select one)

#### Direct Burial

The post shall be direct burial, allowing for \_\_\_\_\_ to be below grade. An anti-rotational device shall be located above the butt of the post, extending out from each side of the post. The post shall be equipped with a 1 3/8" wire hole fitted with a nylon grommet.

#### Anchor Base

The post shall be anchor based. The post shall be equipped with an aluminum anchor base with a 7.75" bolt circle.

### Tenon

The lamp post shall be equipped with a \_\_\_\_\_" x \_\_\_\_\_" aluminum tenon bonded and secured for mounting the post top luminaire.

### Decorative Base

The lamp post shall be equipped with the PLP Charleston design decorative base (9" height and 16" base diameter), manufactured of high density casting urethane. The base shall be a single unit slipover design with a fitted collar equipped with s/s set screws to secure position.

### Color and Surface Texture

The shaft and base color shall be (select one) black, bronze, or forest green in color.

They shall have (select one):

- a textured satin "Cast Iron" appearance, or
- a smooth high gloss finish

The coating system will be an aliphatic polyurea utilizing Dual Cure Chemistry (DCC).

## Model Number Order Code System

Base Design	Installation Type	Shaft Style	Above Grade Mounting Height in feet	Color	Finish	Tenon Diameter	Shaft Handhole
Charleston CHA	Anchor Base AB Direct Burial DB	Fluted FL Smooth SM	6', 8', 10', 12', 14'	Black BL Bronze BR Green GR Other OT	Textured Satin CI "Cast Iron" Smooth High HG Gloss	3" x 3" 1 2 3/8" x 3" 2	2 1/2" x 5" B
↓	↓	↓	↓	↓	↓	↓	↓
CHA	AB	FL	14	BL	CI	1	B

### PLP Composite Technologies, Inc.

57 Creamery Road • PO Box 429 • Fitzwilliam, NH 03447 • Tel: 603-585-9100 • Fax: 603-585-3470 • www.plpcomp.com