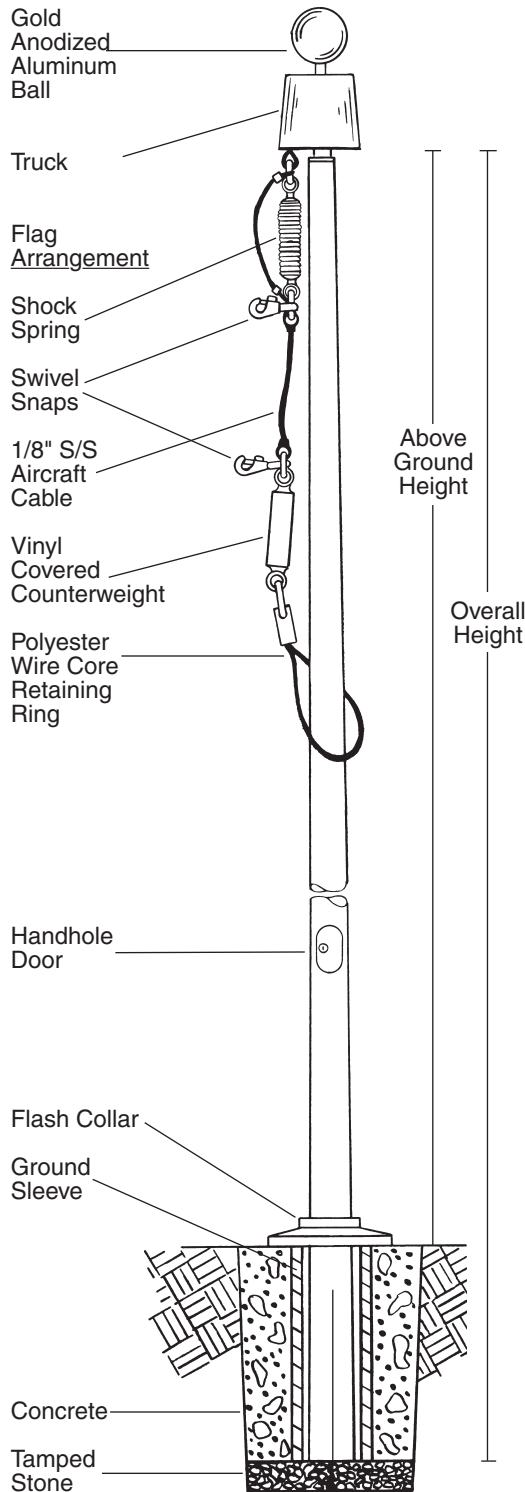
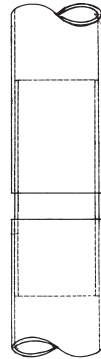


Fiberglass Flagpoles

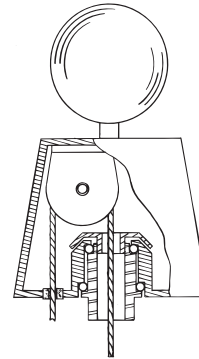
Severe Weather
Internal Flagpoles
50' to 60'



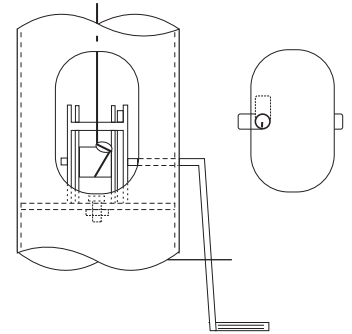
Field Splice Detail (not to scale)



Aluminum Revolving Internal Truck



Internal Winch Front View



Poles 50' and 60' are equipped with an internal field splice which is cemented and pinned with stainless pins to the bottom section. The top section simply slides over the self-aligning splice for easy field assembly.

Severe Weather Flagpole – Internal

	50SWI	60SWI
Above Ground Height	50'	60'
Burial Depth	5'	6'
Flagpole		
Overall Length	55'	66'
Top Diameter	4.2"	4.2"
Butt Diameter	10"	10.5"
Ground Sleeve	5' x 14"	6' x 14"
Fittings		
Gold Ball	10"	10"
Truck-Internal	ALUM	ALUM
Halyard	SS Cable	SS Cable
Snaps (stainless steel)	4.5"	4.5"
Flash Collar	23"	23"
Internal System	WINCH	WINCH
Retaining Ring	Large	Large
Counter Weight	Large	Large
Pole Weight	397	629
Shipping Weight	598	882

Shipping weight includes weight of packaging and fittings.

Severe Weather Internal Flagpole

SPECIFICATIONS

Provide a Fiberglass Reinforced Composite (FRC) Ground Set Flagpole Model # _____ SWI as manufactured by PLP Composite Technologies, Inc., Fitzwilliam, NH 03447.

The flagpole shall have a mounting height of _____' and _____' below grade for an overall length of _____'. The butt diameter shall be _____ inches and the top diameter _____ inches. The shaft weight shall be _____ lbs. and the total shipping weight shall be _____ lbs.

The flagpole shall be manufactured of fiberglass roving and polyester resin with 75% of the reinforcing fibers oriented in the axial plane for maximum stiffness and 25% in the radial plane for required hoop strength. Load calculations shall be based on AASHTO and NAAMM standards with the pole designed with a two to one (2:1) safety factor for 180 mph winds, unflagged, with a 1.3 gust factor.

The flagpole shall have an ENTASIS taper and shall be void of any vertical mold seams.

The flagpole shall be sanded smooth and coated with a high gloss Aliphatic Polyurea coating system which provides extended UV protection and weatherability.

The color of the flagpole shall be:

Standard: white, bronze, black, or other, as specified _____ (select one).

The flagpole shall be equipped with PLP standard fittings:

- A _____" gold anodized aluminum ball
- SS Cable
- Polyester wire core retaining ring
- Vinyl covered counterweight
- Stainless steel and nylon internal winch system
- Handhole door with cylinder cam lock/key
- Stainless steel swivel snaps with vinyl covers
- A _____" composite flash collar
- _____' x _____" fiberglass ground sleeve
- Truck (Pulley Assembly)

Aluminum internal revolving truck

EXCEPTIONS: _____

PROJECT: _____

LOCATION: _____

DATE: _____